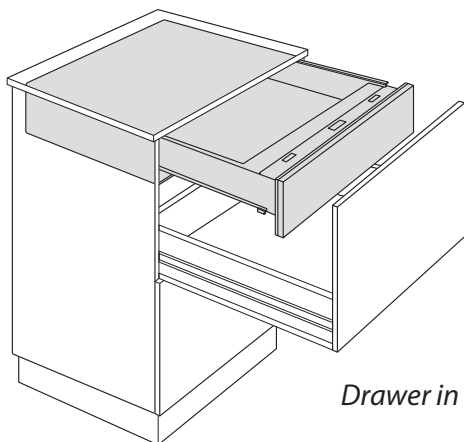
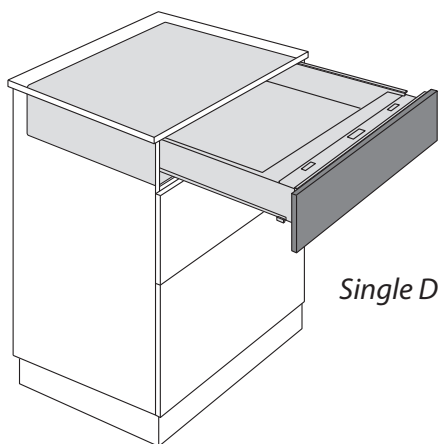


Drawer in Drawer and Single Drawer



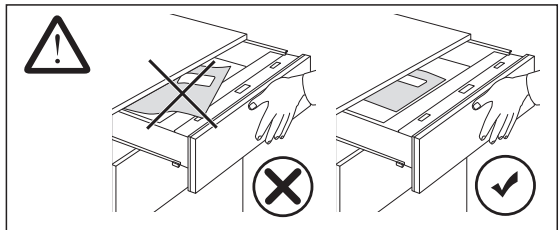
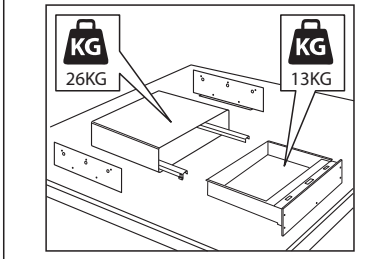
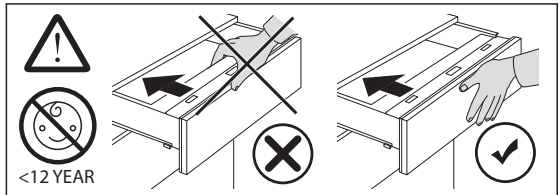
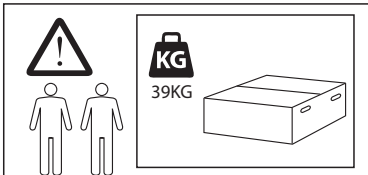
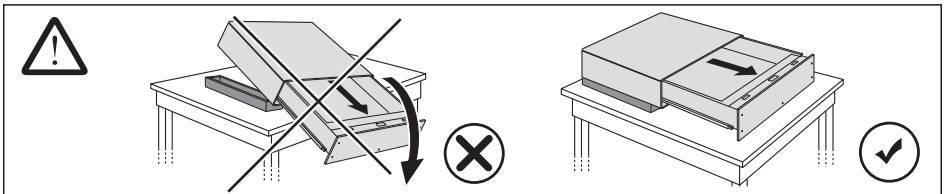
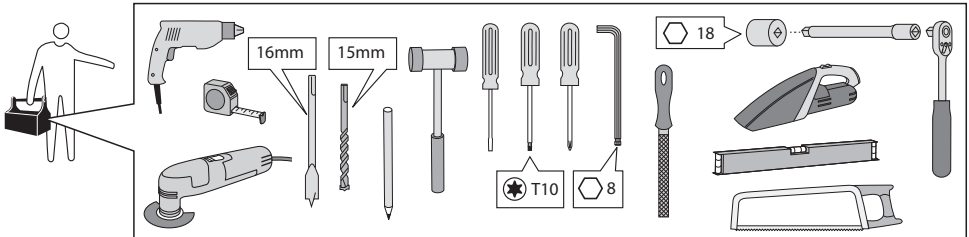
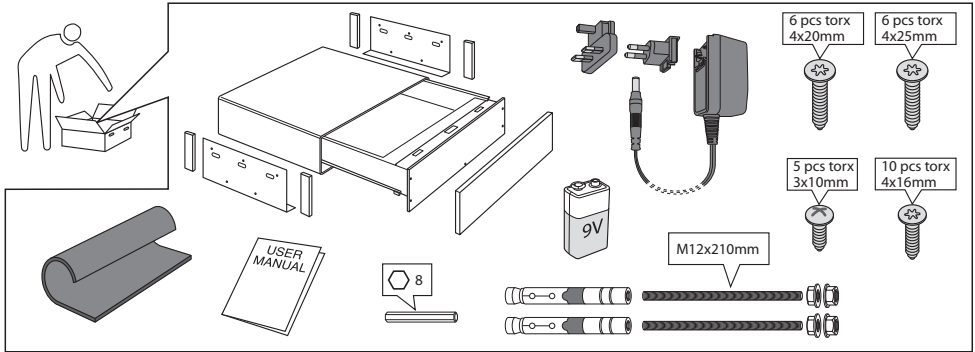
Drawer in Drawer



Single Drawer

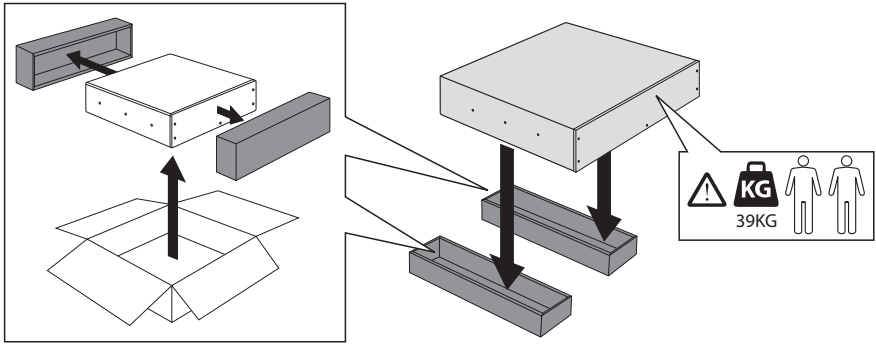
Chubbsafes
Trusted the world over.

Installation "Drawer in Drawer" and "Single Drawer"

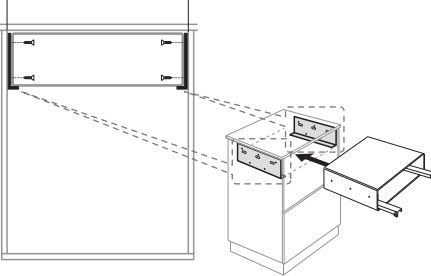


Installation "Drawer in Drawer" and "Single Drawer"

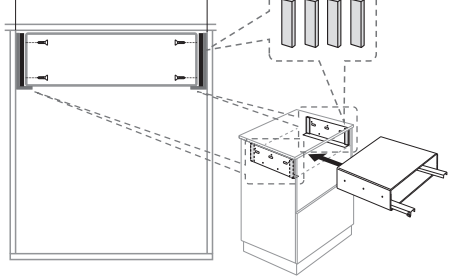
1



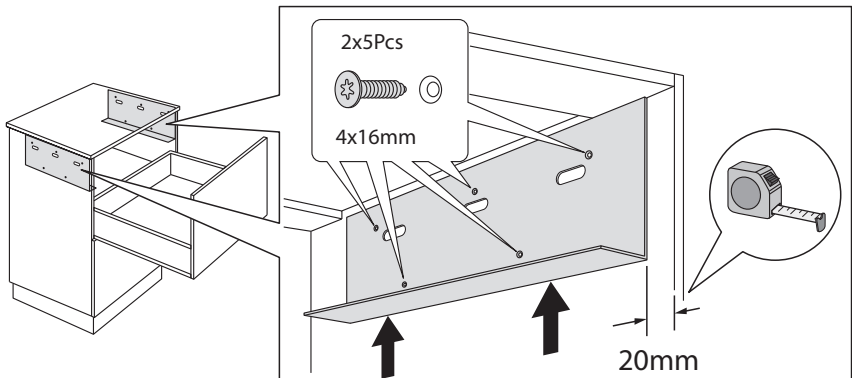
$\leq 567\text{mm}$



$> 567\text{mm}$

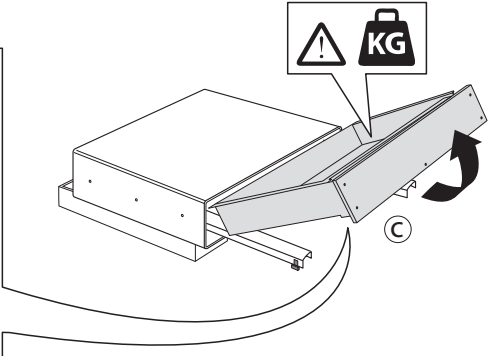
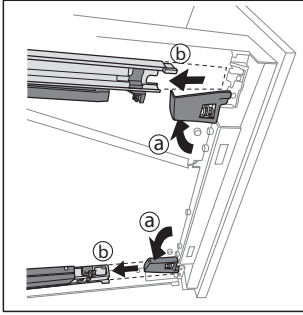


2

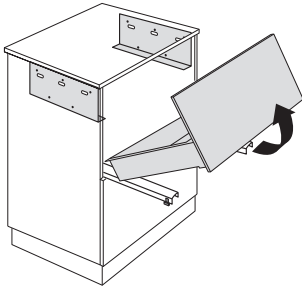


Installation "Drawer in Drawer" and "Single Drawer"

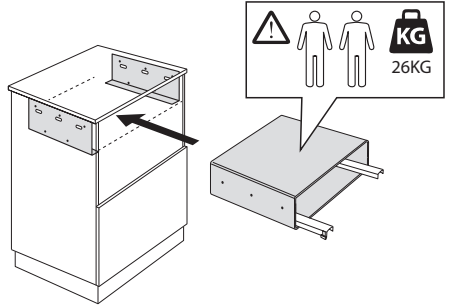
3



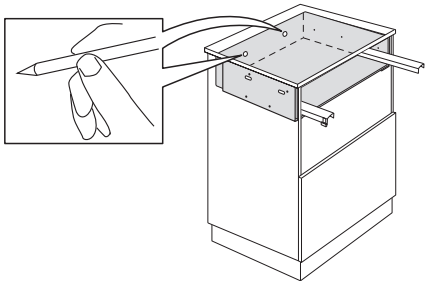
4



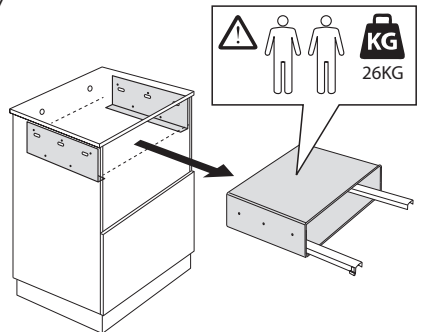
5



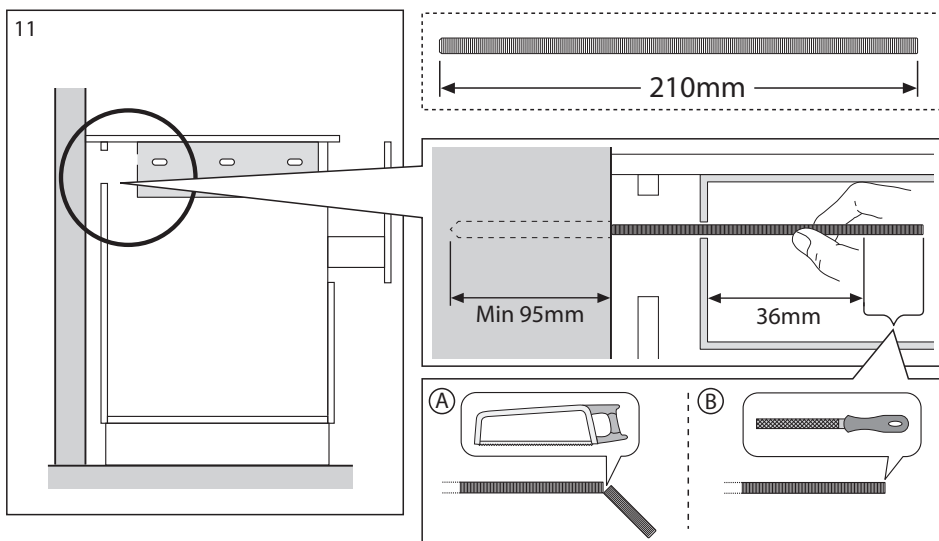
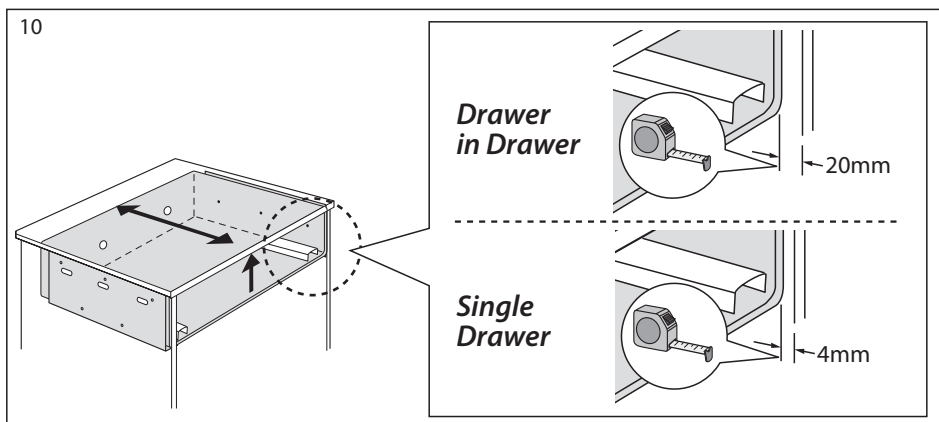
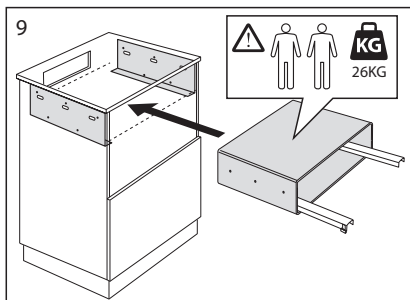
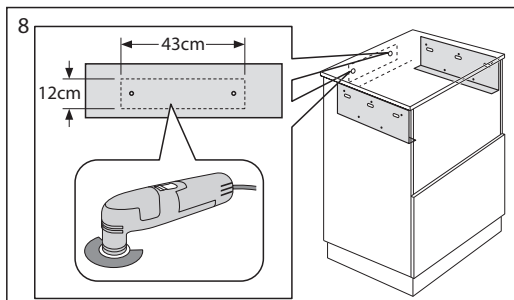
6



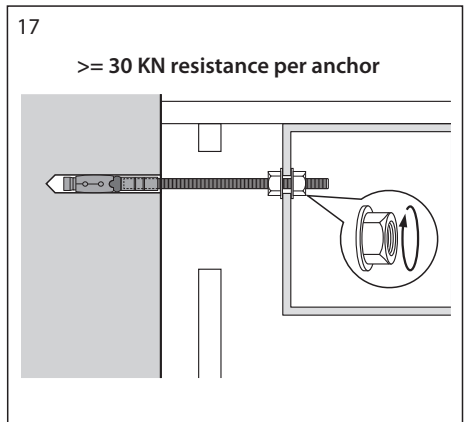
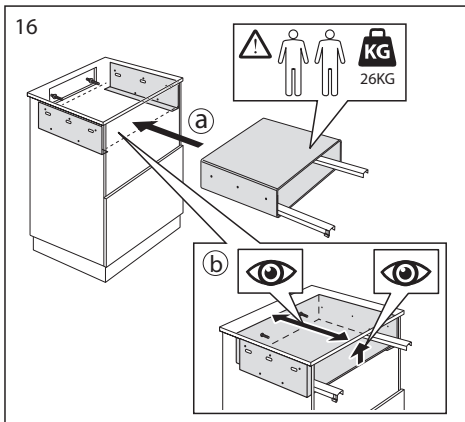
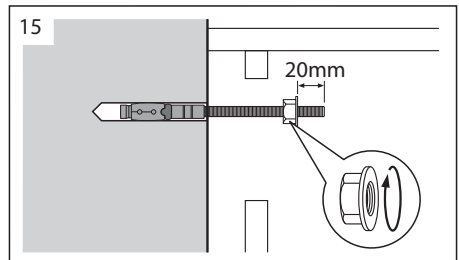
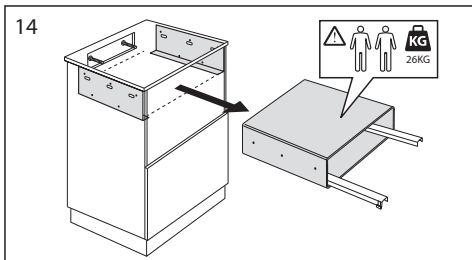
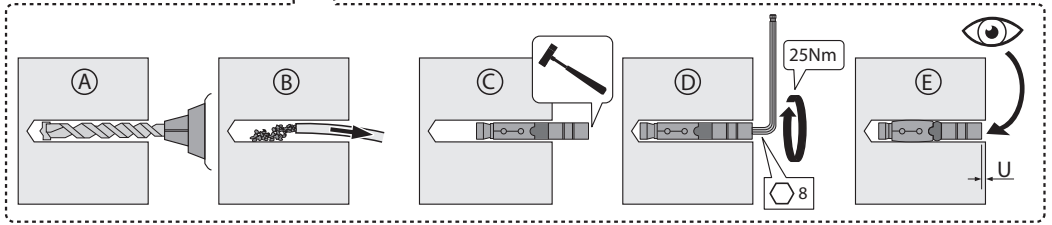
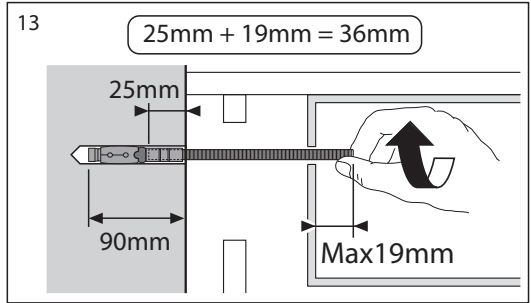
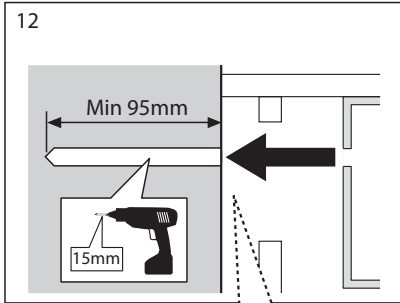
7



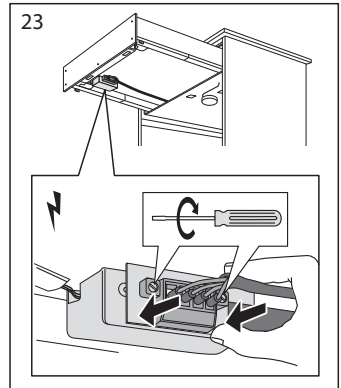
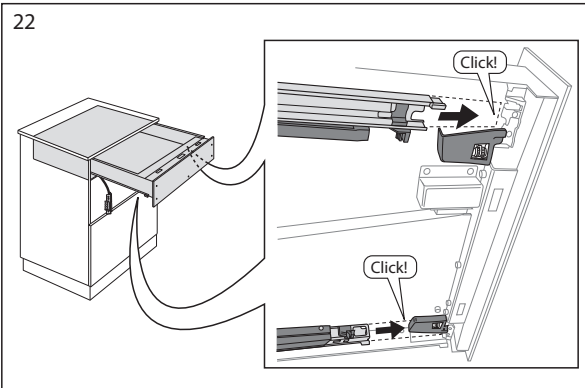
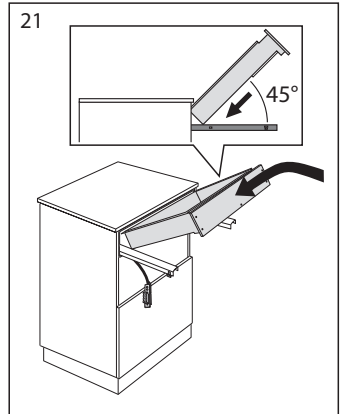
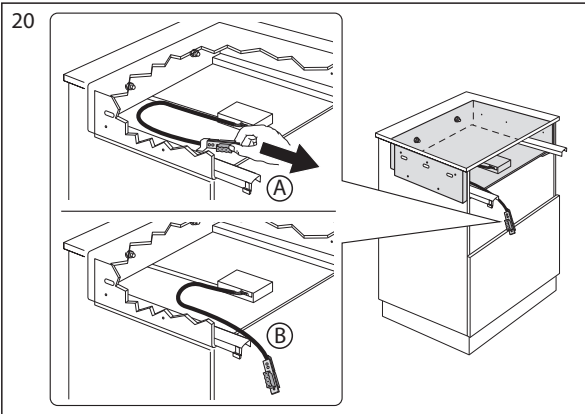
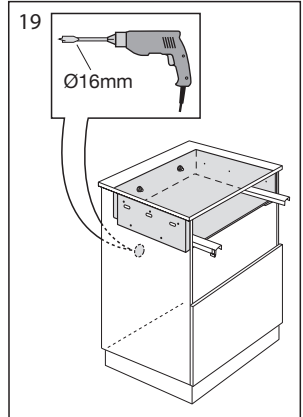
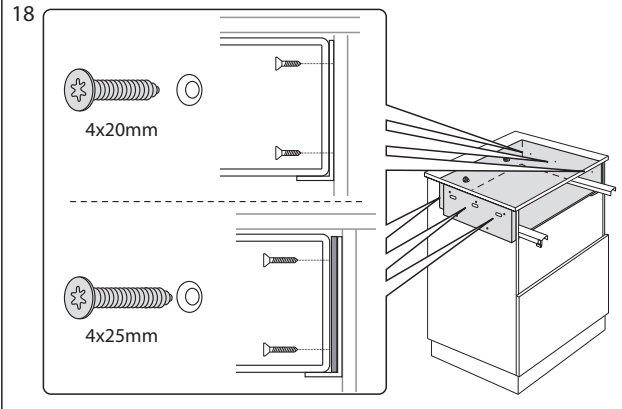
Installation "Drawer in Drawer" and "Single Drawer"



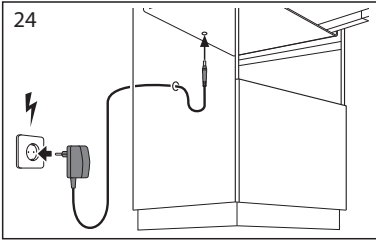
Installation "Drawer in Drawer" and "Single Drawer"



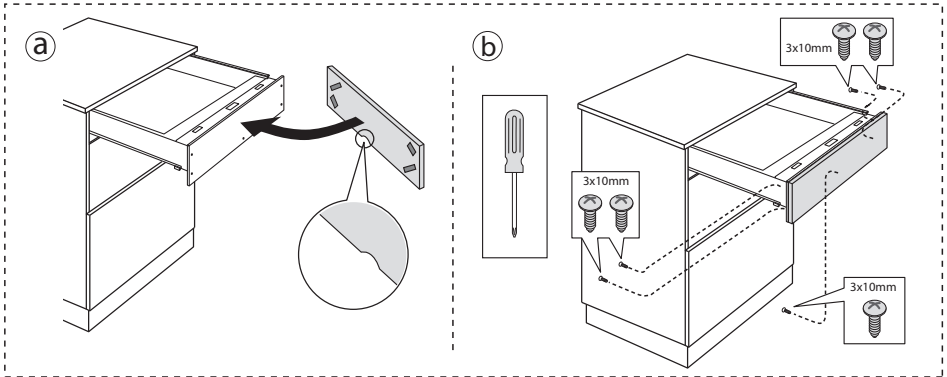
Installation "Drawer in Drawer" and "Single Drawer"



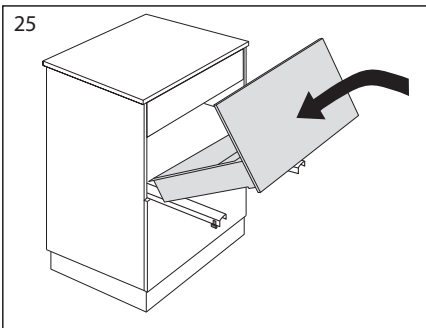
Installation "Drawer in Drawer" and "Single Drawer"



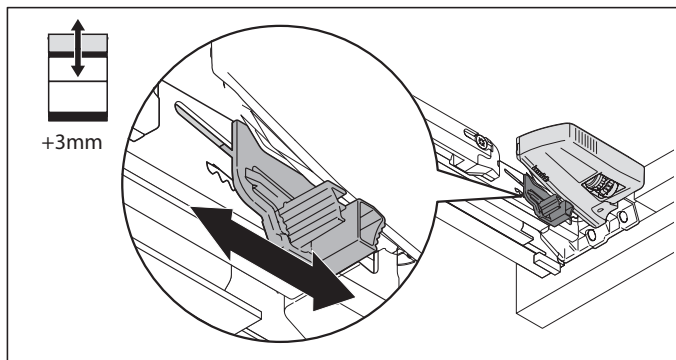
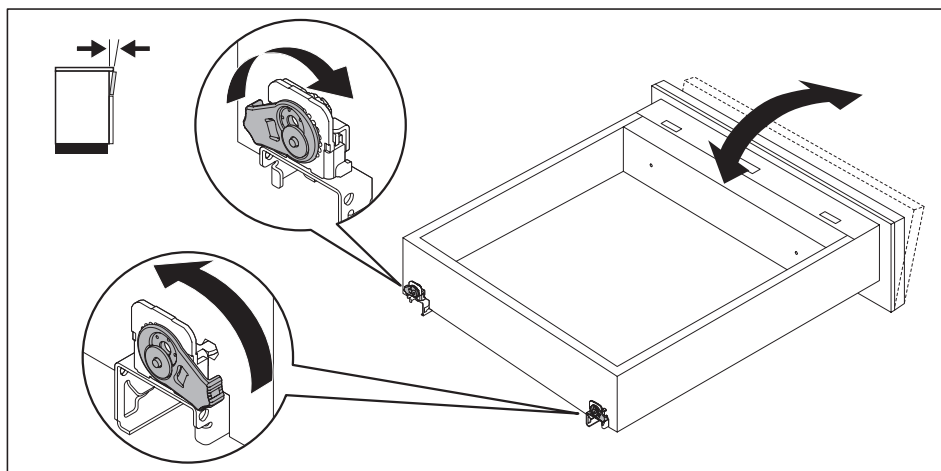
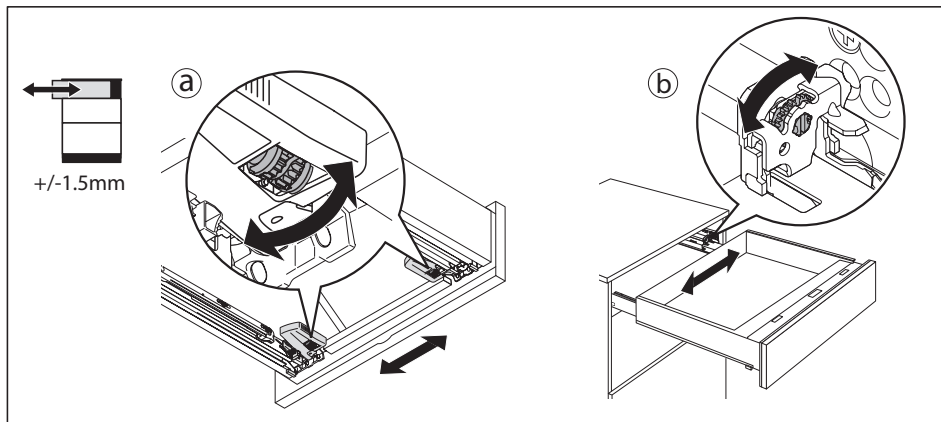
Installation wooden front plate "Single Drawer"



Installation "Drawer in Drawer" and "Single Drawer"



Alignment of the safe drawer in the housing

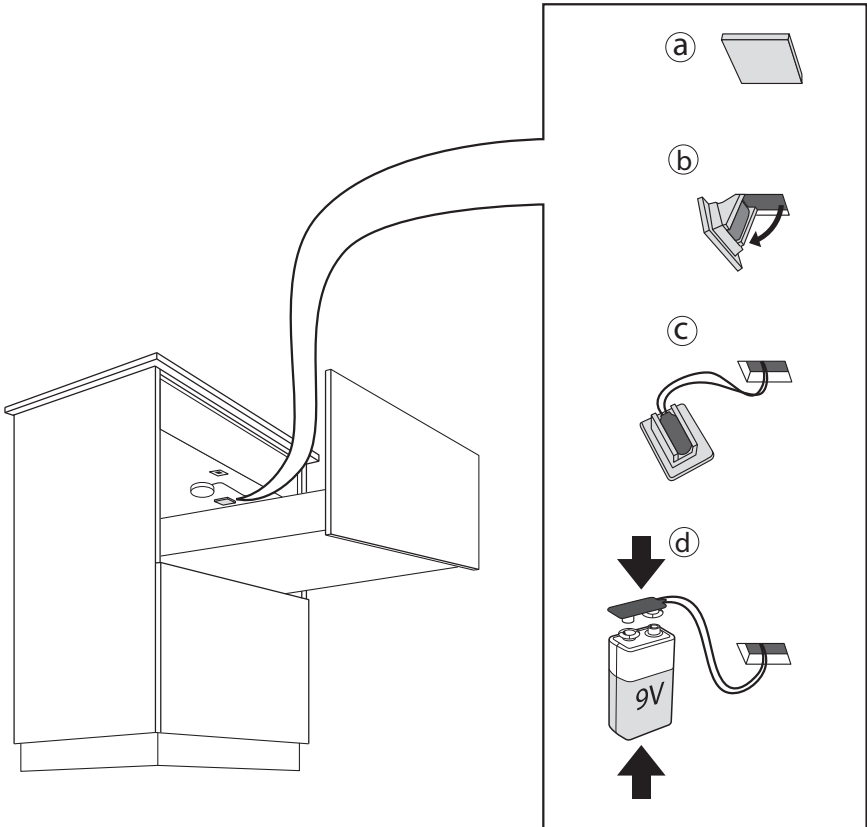


Drawer is preset in factory. Adjusting the slides can affect the function of the safe!

Emergency Power via Backup Battery



For use in emergency situations - during a loss of electricity - only. Please store the backup battery separately and outside of your EverydaySafe, and only attach it when needed during a loss of electricity.



Installing the App

1



Chubb safes



Download the app:
Chubb safes



Chubb safes

Chubb safes

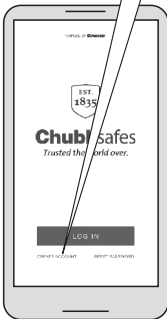


Download the app:
Chubb safes

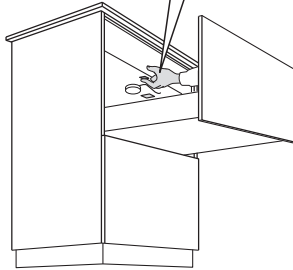
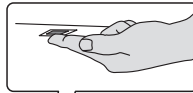
2



Start the app
and create
account.

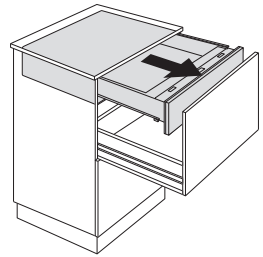


3



Place your finger on the biometric
scanner. Don't push, just place.

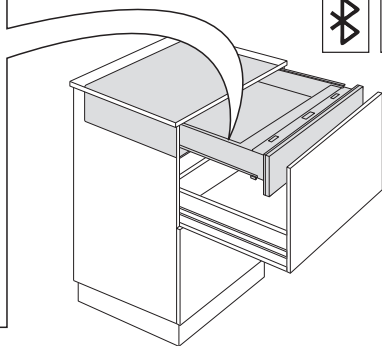
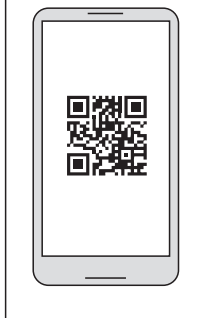
4



5

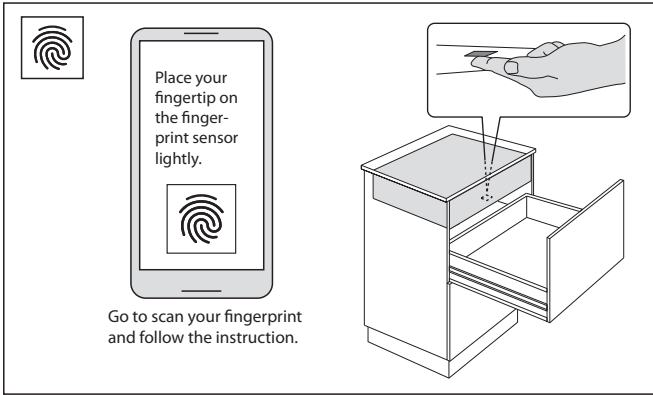


6

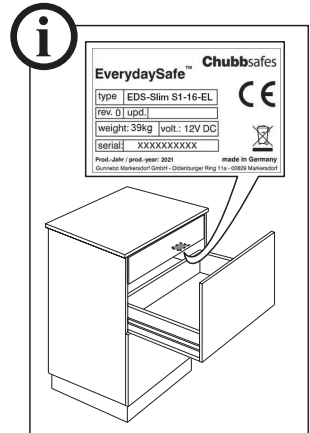
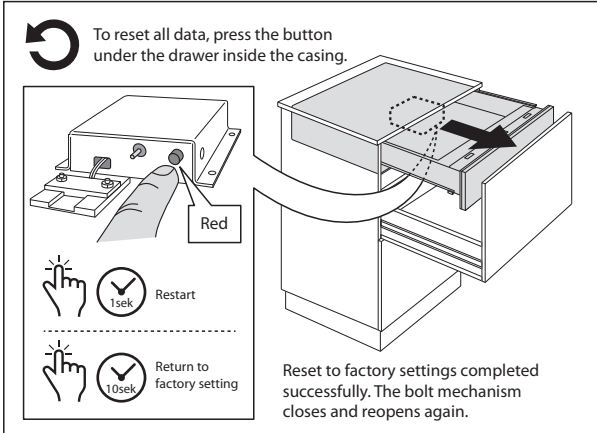


Scan the QR code and follow the instruction.

Installing the App



Return to factory setting



Chubb safes
Trusted the world over.

www.chubbsafes.com